

### 固态宽带大功率放大器

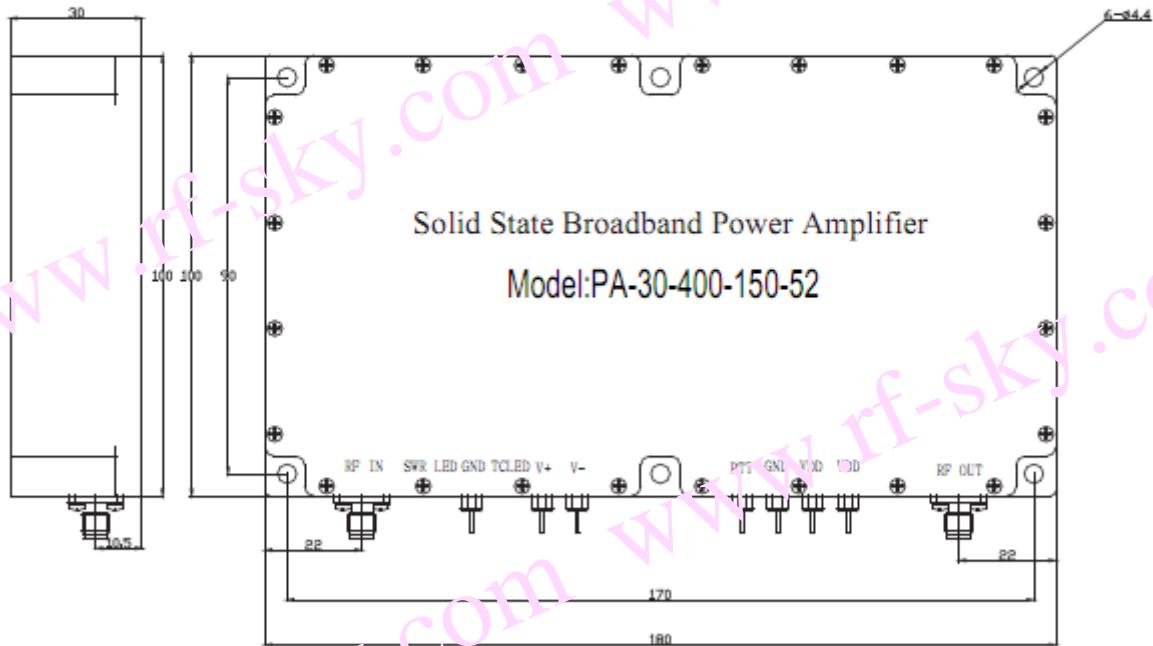
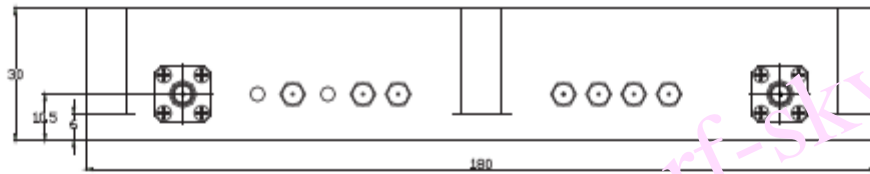
### Solid State Broadband High Power Amplifier Specification

(Model: PA-30-400-150-52)

参数 (Parameter)	符号 (Symbol)	最小 (Min)	典型 (Type)	最大 (Max)	单位 (Unit)
工作频段(Operating Frequency)	SW	30		400	MHz
输出功率(Power Output CW)	Psat	150			W
1dB 压缩点(Power Output @ 1dB)	P1dB	170			W
增益(Power Gain @ CW)	G1dB		52	60	dB
输入功率(Input Power)	Pin		0		dBm
增益平坦度(Small Signal Gain Flatness)	$\Delta G$		$\pm 1.5$	$\pm 2.0$	dB
输入驻波比(Input VSWR)	S11		1.5:1		
三阶互调(Third order intermodulation @ CW)	IMD3	-28	-30		dBc
奇次谐波(Harmonics @ CW)	H	-10	-11		dBc
偶次谐波(Harmonics @ CW)	H	-12	-15		dBc
噪声系数(Noise Figure)	NF		8	10	dB
杂散抑制(Spurious Signals)	Spur		-80	-60	dBc
工作电压(Operating Voltage)	VDC	18	28	34	Volt
工作电流(Current Consumption @ Po=20W)	I <sub>b</sub>		20	25	Amp
工作温度(Operating Temperature)	T <sub>c</sub>	-55		+70	°C
储存温度(Non-perating Temperature)	T <sub>stg</sub>	-60		+80	°C
外形尺寸(Outline Drawing)	L*W*H	180	100	30	mm

技术指标 Electrical Specifications @ T=25°C, VDD=+28VDC; 50Ω System





Note: External heatsink is needed in this module.

该模块需要外加散热器